

## Commercial Applications

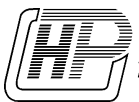
# BKPool 300

Indoor Pool Dehumidifier



### Standard Features

- \* Integral dehumidifier heat pipe (Patent 5,845,702 and others)
- \* 100% stainless steel cabinet
- \* High efficiency “scroll” compressor
- \* Proprietary chemical grafting corrosion protection
- \* Up to 15% fresh air capable
- \* Stainless steel condensate drain pan
- \* Fully enclosed electrical box
- \* Fully lined mold resistant insulation
- \* Direct drive heavy duty blower
- \* Oversized receiver / accumulator
- \* Oversized filter dryer
- \* 2” extended surface pleated filter



**Heat Pipe  
Technology, Inc.**

*“A World of Difference.”*

## Performance Table - BKPool 300

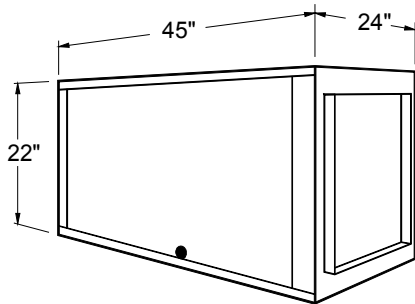
Inlet Air Temp	POUNDS PER DAY	INLET RELATIVE HUMIDITY					
		40%	50%	60%	70%	80%	90%
55°F	•••	•••	•••	•••	•••	•••	192
60°F	•••	•••	•••	152	192	225	247
65°F	•••	115	159	195	247	275	308
70°F	82	148	201	239	291	330	360
75°F	115	181	239	283	330	371	•••
80°F	151	214	275	324	•••	•••	•••
85°F	181	234	302	•••	•••	•••	•••
90°F	206	•••	•••	•••	•••	•••	•••

••• Contact factory.

Performance data may vary with conditions at each installation and is provided only as a guide for selecting the correct dehumidifier.

## Specifications

**BKPool 300**



Model	300
Dimensions (WxHxD) (in.)	45 x 22 x 24
Net Weight (lbs)	200
Air Flow (cfm)	600
Refrigerant	R-22
Condensate Pump*	Optional
Drain Connection Size	3/4" NPT
Heat Added to Space (Btu/hr)	8,500
Blower Size (Dia. x w) (in.)	9 x 9
Ext. Static Pressure (in WG)	0.3
Outlet Air (WxH) (in.)	11 7/8 x 10 1/4
Inlet Air (WxH) (in.)	20 x 19
Filter (in.)	16 x 20 x 2
<b>Electrical</b>	
Power 60 Hz	208/230V/1 ph
Compressor RLA (A)	15
Compressor LRA (A)	72.5
Blower Motor Power (HP)	1/4
Max. Fuse or HACR Circuit Breaker (A)	30
Min. Circuit Ampacity (A)	20
Normal Operating Power Consumption (Kw)	2.5

\* Shipped separate for installation by contractor.

We reserve the right to make product improvements



4340 NE 49<sup>th</sup> Ave., Gainesville, Florida 32609

Toll Free: 1-800-393-3464 ❖ Tel. (352) 367-0999 ❖ Fax: (352) 367-1688

Email: [heatpipe@heatpipe.com](mailto:heatpipe@heatpipe.com) ❖ [www.heatpipe.com](http://www.heatpipe.com)